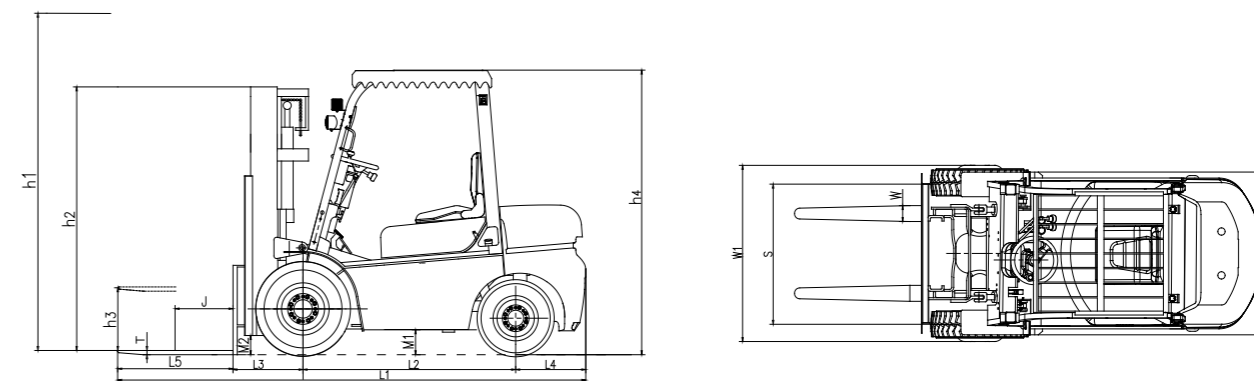


OVERALL SPECIFICATIONS

Type	No.	Item	Code	Unit	Data					
Identification	1.01	Manufacturer			LONKING					
	1.02	Model			FD15T III	FD20T III	FD25T III	FD30TE III	FD35TE III	FD38T III
	1.03	Power type			Diesel					
	1.04	Rated capacity	Q	kg	1500	2000	2500	3000	3500	3800
	1.05	Load center	J	mm	500	500	500	500	500	500
Dimensions	2.01	STD Max height (with backrest)		mm	3906	3935	3935	4272	4210	4210
	2.02	STD Max lifting height	h1	mm	3000	3000	3000	3000	3000	3000
	2.03	Overhead guard height	h4	mm	2090	2110	2110	2130	2130	2140
	2.04	Overall length (with fork)	L1	mm	3180	3590	3650	3850	3900	3995
	2.05	Wheelbase	L2	mm	1400	1650	1650	1760	1760	1900
	2.06	Front overhang	L3	mm	410	460	460	480	496	496
	2.07	Rear overhang	L4	mm	425	410	470	540	570	530
	2.08	Min.ground clearance (Frame/Mast)	m1/m2	mm	100/105	150/110	150/110	160/130	160/130	180/150
	2.09	Overall width	W1	mm	1090	1160	1160	1240	1240	1290
	2.10	Adjusting range of fork (outside)		mm	226-970	240-1040	240-1040	255-1095	255-1095	300-1160
	2.11	STD Fork size (L5*W*T)		mm	920×100×35	1070×120×40	1070×125×45	1070×125×50	1070×150×50	
	2.12	Front wheel tread	S	mm	890	970	970	1000	1000	1040
	2.13	Rear wheel tread	P	mm	870	980	980	980	980	985
	2.14	Min.turning radius	R1	mm	1950	2250	2300	2400	2420	2620
	2.15	Min aisle width for pallet 1000×1200,crossways		mm	3630	3900	3970	4215	4260	4335
	2.16	Min aisle width for pallet 800×1200,lengthways		mm	3760	4150	4160	4350	4390	4515
Tires	3.01	Wheels number, front/rear (X=driven wheels)			X=2/2					
	3.02	Tires type			Pneumatic					
	3.03	Tires size, front			6.5-10-10PR	7.00-12-12PR	28×9-15-14PR		250-15-16PR	
	3.04	Tires size, rear			5.00-8-10PR	6.00-9-10PR	6.50-10-10PR		6.5-10-10PR	
Other Details	4.01	Max.traveling speed, loaded/unloaded	km/h		14/15	18/20	18/20	18.5/20	18.5/20	23/24
	4.02	Max.lifting speed, loaded/unloaded	mm/s		480/500	530/550	530/550	485/505	380/400	380/400
	4.03	Lowering speed, loaded/unloaded	mm/s		Loaded≤600/Unloaded≥300					
	4.04	Max.gradient, loaded/unloaded	%		20	20	20	20	20	20/15
	4.05	STD operating weight (with oil & water)	kg		2680	3450	3770	4270	4650	5000
	4.06	Axles loading,front/rear (loaded)	kg		3760/420	4725/525	5643/627	6620/650	7265/865	7920/880
	4.07	Axles loading,front/rear (unloaded)	kg		1072/1608	1300/1950	1508/2262	1724/2546	1760/2870	2001/2999
	4.08	Service brake			Power brake-pedal					
	4.09	Parking brake			Mechanical-hand brake lever					
	4.10	Drive type			Hydraulic gearbox with mechanical reversing					
	4.11	Fuel tank capacity	L		41	50	50	60	60	80
	4.12	Battery votage/capacity	V/Ah		12/60	12/80				



MAST SPECIFICATIONS

2 Stage Standard Mast-Super Wide Field

Mast Model	h1 Max Lifting Height(mm)	Load Capacity (J=500mm) (kg)						h2 Lowered Mast Height (mm)					h3 Free Lifting Height, without backrest (mm)					Mast tilt α/β (°)	
		1.5T	2T	2.5T	3T	3.5T	3.8T	1.5T	2-2.5T	3T	3.5T	3.8T	1.5T	2-2.5T	3T	3.5T	3.8T	1.5T	2-3.8T
M200	2000	1500	2000	2500	3000	3500	3800	1487	1500	1575	1680	1700	105	150	165	170	170	6/12	9/12
M225	2250	1500	/	/	/	/	/	1612	/	/	/	/	105	/	/	/	/	6/12	/
M250	2500	1500	2000	2500	3000	3500	3800	1737	1750	1825	1930	1950	105	150	165	170	170	6/12	9/12
M270	2700	/	2000	2500	3000	3500	3800	/	1850	1925	2030	2050	/	150	165	170	170	/	9/12
M275	2750	1500	/	/	/	3000	/	1862	/	1950	/	/	105	/	165	/	/	6/12	9/12
M300	3000	1500	2000	2500	3000	3500	3800	1987	2000	2075	2180	2200	105	150	165	170	170	6/12	9/12
M330	3300	1500	2000	2500	3000	3500	3800	2137	2150	2225	2330	2350	105	150	165	170	170	6/12	9/12
M350	3500	1500	2000	2500	3000	3500	3800	2237	2250	2325	2430	2450	105	150	165	170	170	6/12	9/12
M370	3700	/	2000	2500	3000	3500	3800	/	2350	2425	2530	2550	/	150	165	170	170	/	9/12
M375	3750	1500	/	/	/	3000	/	2362	/	2450	/	/	105	/	165	/	/	6/12	9/12
M400	4000	1400	2000	2500	2950	3200*3400	3600*3700	2537	2550	2625	2730	2750	105	150	165	170	170	6/6	9/8
M425	4250	1300	1850*2000	2250*2500	2850*3000	3100*3300	3350*3600	2662	2675	2750	2855	2875	105	150	165	170	170	6/6	9/8
M450	4500	1200	1600*1900	2100*2400	2600*2800	2900*3100	3100*3500	2787	2800	2875	2980	3000	105	150	165	170	170	6/6	9/8
M475	4750	1100	1400*1800	1900*2200	2350*2600	2700*2900	2900*3300	2912	2925	3000	3105	3125	105	150	165	170	170	6/6	9/8
M500	5000	1000	1300*1700	1600*1900	2100*2400	2400*2750	2700*3100	3037	3050	3125	3230	3250	105	150	165	170	170	6/6	9/8
M550	5500	800	1200*1500	1200*1700	*2400	*2400	*2700	3337	3350	3425	3530	3550	105	150	165	170	170	3/6	3/6
M600	6000	500	1000*1300	900*1400	1500*2000	*2200	*2350	3587	3600	3675	3780	3800	105	150	165	170	170	3/6	3/6

Note:*** means capacity of double front wheels.

2 Stage Free Mast-Super Free Lifting Height

Mast Model	h1 Max Lifting Height(mm)	Load Capacity (J=500mm) (kg)						h2 Lowered Mast Height (mm)					h3 Free Lifting Height, without backrest (mm)					Mast tilt α/β (°)	
		1.5T	2T	2.5T	3T	3.5T	3.8T	1.5T	2-2.5T	3T	3.5T	3.8T	1.5T	2-2.5T	3T	3.5T	3.8T	1.5T	2-3.8T
ZM200	2000	1500	2000	2500	3000	3500	3800	1595	1555	1575	1680	1700	1037	1050	920	964	965	6/12	9/12
ZM250	2500	1500	2000	2500	3000	3500	3800	1845	1805	1825	1930	1950	1287	1300	1170	1214	1215	6/12	9/12
ZM270	2700	/	2000	2500	3000	3500	3800	/	1905	1925	2030	2050	/	1400	1270	1314	1315	/	9/12
ZM275	2750	1500	/	/	/	/	/	1970	/	/	/	/	1412	/	/	/	/	6/12	/
ZM300	3000	1500	2000	2500	3000	3500	3800	2095	2055	2075	2180	2200	1537	1550	1420	1464	1465	6/12	9/12
ZM330	3300	1500	2000	2500	3000	3500	3800	2245	2205	2225	2330	2350	1687	1700	1570	1614	1615	6/12	9/12
ZM350	3500	1500	2000	2500	3000	3500	3800	2345	2305	2325	2430	2450	1787	1800	1670	1714	1715	6/6	9/12
ZM370	3700	/	/	/	/	3500	3650*3800	/	/	/	2530	2550	/	/	/	1814	1815	/	9/12
ZM375	3750	1500	2000	2500	3000	/	/	2470	2430	2450	/	/	1912	1925	1795	/	/	6/6	9/12
ZM400	4000	1400	2000	2500	2850	3250*3500	3550*3700	2645	2605	2625	2730	2750	2087	2100	1970	2014	2015	6/6	9/8
ZM450	4500	1200	1600*1900	2100*2400	2600*2800	2900*3100	3100*3500	2895	2855	2875	2980	3000	2337	2350	2220	2264	2265	6/6	9/8

Note:*** means capacity of double front wheels. 1.5T free lifting height reduces 346mm with backrest. 2-2.5T free lifting height reduces 430mm with backrest. 3T free lifting height reduces 520mm with backrest. 3.5T free lifting height reduces 454mm with backrest. 3.8T free lifting height reduces 435mm with backrest.

3 Stage Free Mast-Super Free Lifting Height

Mast Model	h1 Max Lifting Height(mm)	Load Capacity (J=500mm) (kg)						h2 Lowered Mast Height (mm)					h3 Free Lifting Height, without backrest (mm)					Mast tilt α/β (°)	
		1.5T	2T	2.5T	3T	3.5T	3.8T	1.5T	2-2.5T	3T	3.5T	3.8T	1.5T	2-2.5T	3T	3.5T	3.8T	1.5T	2-3.8T
ZSM360	3600	/	1900	2400	2900	3300	3700*3800	/	1805	1862	1862	1882	/	1240	1152	1157	1157	/	9/12
ZSM400	4000	1400	1800*1900	2300	2800	3300	3500*3700	1920	1930	1987	1987	2007	1362	1365	1277	1282	1282	6/6	9/8
ZSM435	4350	1300	1750*1900	2200*2400	2700*2900	2900*3100	3200*3600	2055	2055	2112	2112	2132	1497	1490	1402	1407	1407	6/6	9/8
ZSM450	4500	1200	1600*1800	2000*2300	2500*2700	2800*3000	3100*3550	2095	2118	2175	2175	2195	1537	1553	1465	1470	1470	6/6	9/8
ZSM470	4700	/	1300*1700	1800*2100	2350*2550	2600*2800	2850*3350	/	2183	2240	2240	2260	/	1618	1530	1535	1535	/	9/8
ZSM480	4800	1100	1250*1700	1700*2000	2250*2450	2500*2750	2800*3150	2195	2205	2262	2262	2282	1637	1640	1552	1557	1557	6/6	9/8
ZSM500	5000	950	1100*1600	1500*1800	2100*2300	2300*2600	2600*3100	2295	2305	2362	2362	2382	1737	1740	1652	1657	1657	6/6	9/8
ZSM540	5400	850	900*1400	1200*1600	1650*2100	1800*2300	2450*2900	2420	2430	2487	2487	2507	1862	1865	1777	1782	1782	3/6	3/6
ZSM550	5500	750	800*1300	1100*1500	1500*2000	1700*2200	2350*2800	2455	2470	2527	2527	2547	1897	1905	1817	1822	1822	3/6	3/6
ZSM600	6000	450	600*1100	800*1300	1200*1800	1300*2000	1650*2550	2645	2655	2712	2712	2732	2087	2090	2002	2007	2007	3/6	3/6
ZSM650	6500	200	400*800	600*1000	900*1500	1000*1600	*2200	2835	2870	2927	2927	2947	2277	2305	2217	2222	2222	3/3	3/3

Note:*** means capacity of double front wheels. 1.5T free lifting height reduces 346mm with backrest. 2-2.5T free lifting height reduces 370mm with backrest